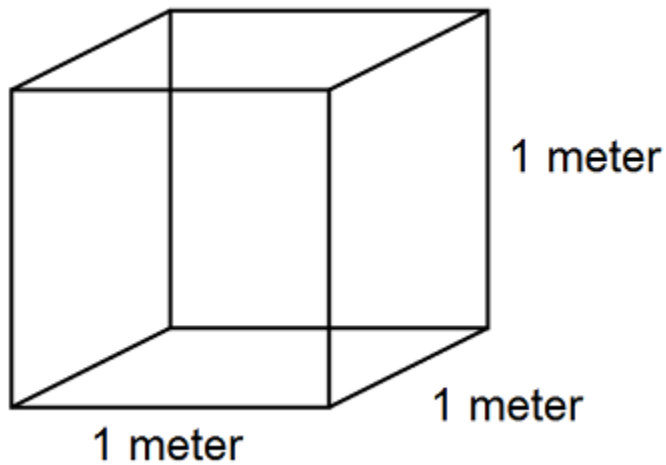


Sizing a steam bath

Sizing a steam bath is relatively simple, measure the volume of the room (W x D x H) in M this gives you a volume in M³.



For each 1M³ allow 1 Kg of steam or if you prefer each 1M³ allow 0.75Kw

e.g a steam room of 3m x 5m x 2.2m = 33 M³ (33 Kg/hr steam) or 33M³ x 0.75 = 24.75Kw/hr

This is a guide only and consultation with an expert is highly recommended as different building materials hold differing thermal values.